

Model: TA 5 R 8P

Data

Type: Ceiling unit coolers

Producer: Friga-Bohn

Series: LUC

Model: TA 5 R 8P

Evaporator technical data

Air flow [m ³ /h]:	2975
Air throw [m]:	5
Heat exchange surface [m ²]:	34,26
Inner volume [dm ³]:	5,02
Fin spacing [mm]:	3,63
Weight [kg]:	36,4

Fans technical data

Count:	3
Diameter [mm]:	350
RPM [min ⁻¹]:	750
Power input [W]:	3 x 90
Current [A]:	3 x 0,4
Power supply [V/f/Hz]:	230V/1/50Hz
Sound pressure level :	230V/1/50Hz

Defrost

Heaters:	<u>230V/1/50Hz</u>	<u>400V/3/50Hz</u>
Power [W]:	1800	
Current [A]:	7,8	

Connections

	<u>milimeters</u>	<u>inches</u>
Inlet:		5/8"
Outlet:		7/8"

Model: TA 5 R 8P

Capacity

R404A/R507

Cooling capacity [kW]

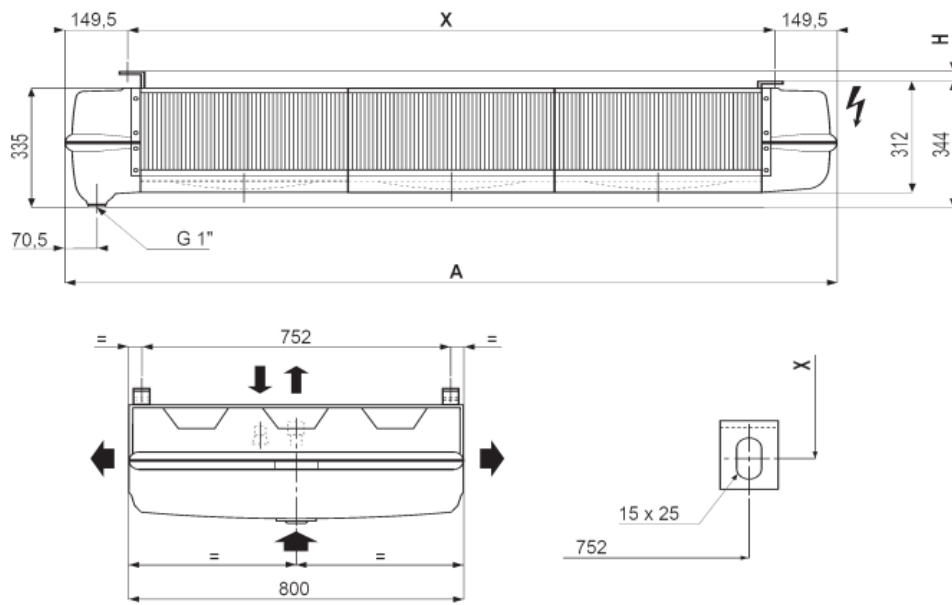
TD \ t _a	-1	5	10	15
5	5.82	6.86	6.86	6.86
6	6.98	8.23	8.23	8.23
7	8.14	9.60	9.60	9.60
8	9.30	10.98	10.98	10.98
9	10.47	12.35	12.35	12.35
10	11.63	13.72	13.72	13.72
11	12.79	15.09	15.09	15.09
12	13.96	16.46	16.46	16.46
13	15.12	17.84	17.84	17.84
14	16.28	19.21	19.21	19.21
15	17.45	20.58	20.58	20.58

Operating conditions: SC2 (t_a = 0 °C, TD = 8K)

t_a - Room temperature [°C]

Model: TA 5 R 8P

Dimensions



A	1866 mm
H	35 mm
X	1560 mm

Model: TA 5 R 8P

Image

